



## T8 DUAL MODE : U-BEND

### DESCRIPTION

LED T8 Dual Mode U-Bend Replacement Lamps can be installed using a ballast or direct line voltage, and consume a fraction of the energy cost of fluorescent.

**Review all installation instructions and confirm use of a compatible ballast before installing Dual Mode lamps on an existing fluorescent ballast.**

### FEATURES

- Hybrid dual mode for use with ballasts OR direct line voltage
- No socket changes; line voltage function uses shunted or non-shunted sockets
- Operates on most instant start T8 ballasts
- Instantaneous full light output upon power-up
- Frosted glass lens reduces visual glare
- Visit [eiko.com](http://eiko.com) to view complete ballast compatibility information
- Line voltage operation requires universal 120-277V; direct fit operation can use approved 120-277V or 347-480V ballasts

### WARRANTY

- 5 year limited warranty; see [eiko.com](http://eiko.com) for warranty details

### APPLICATIONS

- Highbays
- Troffers
- Industrial Strips
- Cove Lighting
- Warehouses
- Stairwells
- Cold Storage



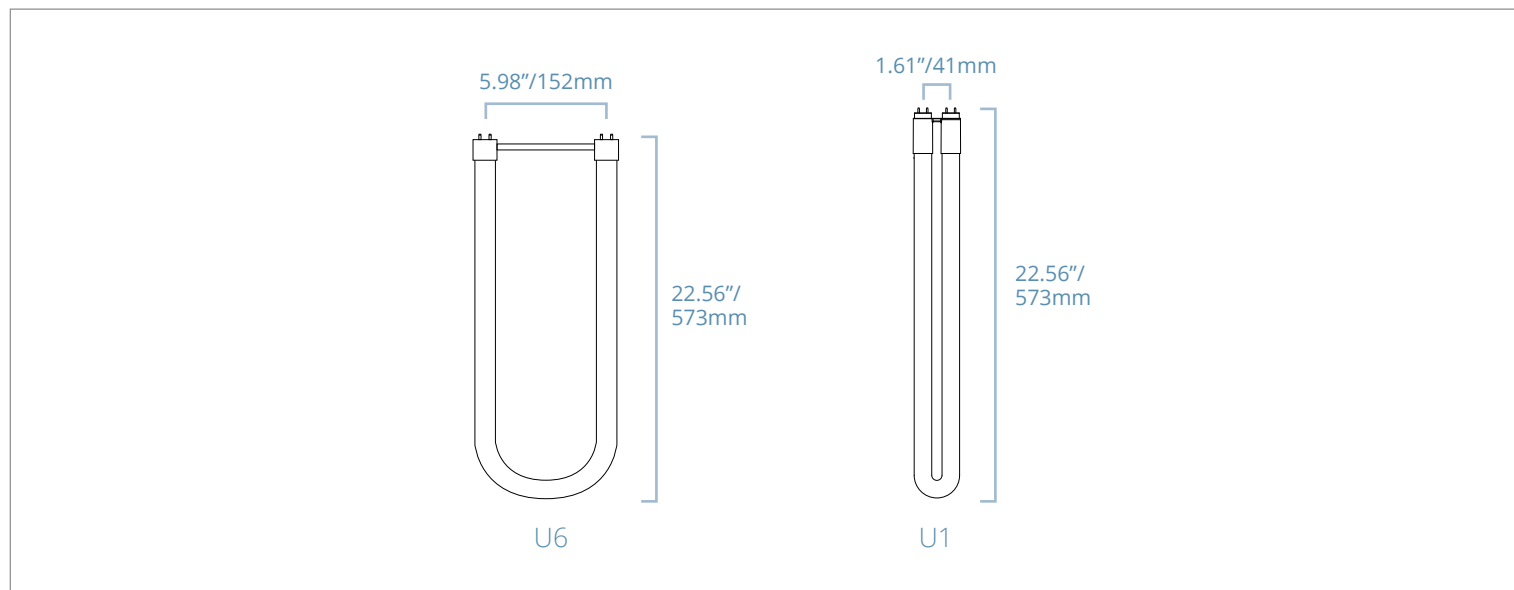
<b>PERFORMANCE</b>	Bare Lamp Wattage	13W
	Lumens	2,000
	Efficacy (LPW)	154
	CRI	80+
	CCT	3500K, 4000K, 5000K
	Life (L70)	50,000 hours
<b>ELECTRICAL</b>	Power Factor	≥0.9
	THD	<20%
	Input Voltage	120-277V
<b>CONSTRUCTION</b>	Operating Temperature	-4°F to 113°F (-20°C to 45°C)
	Base	2G13
<b>LISTINGS</b>	Certification(s)	DesignLights Consortium® Qualified; NSF Listed; cULus Listed; FCC
	Material Usage	RoHS Compliant; no mercury or lead
	Environment	UL Listed for damp locations

## PERFORMANCE SUMMARY

Order Code	Item #	Length	Lumens	Nominal Watts	Volts Ballast Dependent	CCT	CRI	Glass Tube	Life/Hours	DLC
10923	LED13WT8/U1/835-G9DM	1" U-Bend	2,000	13W	120-277V	3500K	80+	Frosted	50K	✓
10924	LED13WT8/U1/840-G9DM	1" U-Bend	2,000	13W	120-277V	4000K	80+	Frosted	50K	✓
10925	LED13WT8/U1/850-G9DM	1" U-Bend	2,000	13W	120-277V	5000K	80+	Frosted	50K	✓
10926	LED13WT8/U6/835-G9DM	6" U-Bend	2,000	13W	120-277V	3500K	80+	Frosted	50K	✓
10927	LED13WT8/U6/840-G9DM	6" U-Bend	2,000	13W	120-277V	4000K	80+	Frosted	50K	✓
10928	LED13WT8/U6/850-G9DM	6" U-Bend	2,000	13W	120-277V	5000K	80+	Frosted	50K	✓

NOTE: Use order code when ordering. ✓DesignLights Consortium® Qualified

## DIMENSIONS



# BALLAST COMPATIBILITY

120-277V Ballasts													
Manufacturer	Part Number	Start Method	# of Lamps	1 Lamp		2 Lamp		3 Lamp		4 Lamp		Dim	Ballast Version
				120V	277V	120V	277V	120V	277V	120V	277V		
ARCATA	ACT2P32ISUNV	IS	2	✓	✓	✓	✓	-	-	-	-	-	-
ARCATA	ACT4P32ISUNV	IS	4	-	-	-	-	✓	✓	✓	✓	-	-
ADVANCE	ICN-1P32-N	IS	1	✓	✓	-	-	-	-	-	-	-	-
ADVANCE	ICN-2P32-N	IS	2	✗	✗	✓	✓	-	-	-	-	-	REV C-E
ADVANCE	ICN-3P32-N	IS	3	-	-	✓	✓	✓	✓	-	-	-	REV D
ADVANCE	ICN-4P32-N	IS	4	-	-	-	-	✓	✓	✓	✓	-	REV D
ADVANCE	ICN-2P32-SC	IS	2	✓	✓	✓	✓	-	-	-	-	-	-
ADVANCE	ICN-4P32-SC	IS	4	-	-	-	-	✗	✓	✗	✓	-	REV D
ADVANCE	ICN-2S40-N	RS	2	✓	✓	✓	✓	-	-	-	-	-	-
ADVANCE	IOPA-1P32-N	IS	1	✓	✓	-	-	-	-	-	-	-	REV B
ADVANCE	IOPA-2P32-N	IS	2	✗	✗	✓	✓	-	-	-	-	-	REV A
ADVANCE	IOPA-4P32-N	IS	4	-	-	-	-	✓	✓	✓	✓	-	REV C
ADVANCE	IOPA-1P32-LW-N	IS	1	✗	✗	-	-	-	-	-	-	-	REV A
ADVANCE	IOPA-2P32-LW-N	IS	2	✗	✗	✓	✓	-	-	-	-	-	REV B
ADVANCE	IOPA-4P32-LW-N	IS	4	-	-	-	-	✓	✓	✓	✓	-	REV A
ADVANCE	IOP-4PSP32-SC	PS	4	-	-	-	-	✓	✓	✓	✓	-	REV B
ADVANCE	RCN-2S32-SC	PS	2	-	-	✓	-	-	-	-	-	-	REV D
ADVANCE	REZ-2S32-SC	PS	2	-	-	✓	-	-	-	-	-	✓	REV E
ADVANCE	REL-2P32-SC	IS	2	✓	-	✓	-	-	-	-	-	-	UL 704G
ADVANCE	REL-4P32-RH-TP	IS	4	-	-	-	-	✗	-	✗	-	-	-
ADVANCE	RELB-2S40-N	RS	2	✗	-	✗	-	-	-	-	-	-	-
EIKO	PM 2x32T8-UNV-IS-L	IS	2	✓	✓	✓	✓	-	-	-	-	-	-
ESPEN	VE232MVHIP	IS	2	✓	✓	✓	✓	-	-	-	-	-	-
ESPEN	VE232MVHIPE	IS	2	✓	✓	✓	✓	-	-	-	-	-	-
ESPEN	VE232MVHIPHE	IS	2	✗	✗	✓	✓	-	-	-	-	-	-
ESPEN	VE232MVHIPL	IS	2	✓	✓	✓	✓	-	-	-	-	-	-
ESPEN	VE432MVHIP	IS	4	-	-	-	-	✓	✓	✓	✓	-	-
ESPEN	VE432MVHIPE	IS	4	-	-	-	-	✓	✓	✓	✓	-	-
ESPEN	VE432MVHIPHE	IS	4	-	-	-	-	✓	✓	✓	✓	-	-
FULHAM	NPY-120-232-LT8	PS	2	✓	-	✓	-	-	-	-	-	-	-
FULHAM	NPY-120-432-T8B	IS	4	-	-	-	-	✓	-	✓	-	-	-
FULHAM	NPY-120-432-T8-IS	IS	4	-	-	-	-	✓	-	✓	-	-	-
FULHAM	WHCG3-120-T8-IS	IS	3	-	-	✓	-	✓	-	-	-	-	-
FULHAM	WHCG5-120-T12-RS	RS	2	✓	-	✓	-	-	-	-	-	-	-
FULHAM	WH2-120-L	IS	1	✓	-	-	-	-	-	-	-	-	-
FULHAM	WH5-120-L	IS	4	-	-	-	-	✗	-	✓	-	-	-
FUSION	FB232MVE	IS	2	✓	✓	✓	✓	-	-	-	-	-	-
FUSION	FB232MVE-HE	IS	2	✓	✓	✓	✓	-	-	-	-	-	-
FUSION	FB232MVE-LHE	IS	2	✓	-	✓	-	-	-	-	-	-	-
FUSION	FB232MVE-PPS-HE	PS	2	✓	✓	✓	✓	-	-	-	-	-	-
FUSION	FB332MVE	IS	3	-	-	✓	✓	✓	✓	-	-	-	-
FUSION	FB432MVE	IS	4	-	-	-	-	✗	✗	✗	✗	-	-
FUSION	FB432MVE-HE	IS	4	-	-	-	-	✗	✗	✗	✗	-	-
FUSION	FB432MVE-PPS-HE	PS	4	-	-	-	-	✓	✓	✓	✓	-	-
GE	GE132MAXP-N/ULTRA	IS	1	✓	✓	-	-	-	-	-	-	-	-
GE	GE 232-120RES-DIYB	IS	2	✓	-	✓	-	-	-	-	-	-	-
GE	GE 232-120-PS-N	PS	2	✓	-	✓	-	-	-	-	-	-	-
GE	GE232MAX-G-N	IS	2	✓	✓	✓	✓	-	-	-	-	-	-
GE	GE232MAXP-L/ULTRA	IS	2	✓	✓	✓	✓	-	-	-	-	-	-
GE	GE232MAXP-N/ULTRA	IS	2	✓	✓	✓	✓	-	-	-	-	-	-
GE	GE232MAXP-H/ULTRA	IS	2	✗	✗	✓	✓	-	-	-	-	-	-
GE	GE232-MV-N	IS	2	✓	✓	✓	✓	-	-	-	-	-	-
GE	GE232-MVPS-L	PS	2	✓	✓	✓	✓	-	-	-	-	-	-
GE	GE232-MVPS-N	PS	2	✓	✓	✓	✓	-	-	-	-	-	-
GE	GE232-MVPS-H	PS	2	✗	✗	✓	✓	-	-	-	-	-	-
GE	GE332MAX-L/ULTRA	IS	3	-	-	✓	✓	✓	✓	-	-	-	-
GE	GE332MAX90-V60	IS	3	-	-	✗	✗	✓	✓	-	-	✓	-
GE	GE332MV-N-DIY	IS	3	-	-	✓	✓	✓	✓	-	-	-	-

# BALLAST COMPATIBILITY (Cont'd)

120-277V Ballasts													
Manufacturer	Part Number	Start Method	# of Lamps	1 Lamp		2 Lamp		3 Lamp		4 Lamp		Dim	Ballast Version
				120V	277V	120V	277V	120V	277V	120V	277V		
GE	GE432MAX-G-N	IS	4	-	-	-	-	✓	✓	✓	✓	-	-
GE	GE432MAX-H/ULTRA	IS	4	-	-	-	-	✓	✓	✓	✓	-	-
GE	GE432MAX-H-42T	IS	4	-	-	-	-	✓	✓	✓	✓	-	-
GREENHILL	GH2P59ISUNV	IS	2	✗	✗	✓	✓	-	-	-	-	-	-
GREENHILL	GH4P32ISUNV	IS	4	-	-	-	-	✓	✓	✓	✓	-	-
HALCO	EP232IS/H/MV/HE	IS	2	✗	✗	✓	✓	-	-	-	-	-	-
HALCO	EP332IS/L/MV/HE	IS	3	-	-	✓	✓	✓	✓	-	-	-	-
HALCO	EP332IS/MV/MC	IS	3	-	-	✓	✓	✓	✓	-	-	-	-
HALCO	EP432IS/L/MV/HE	IS	4	-	-	-	-	✓	✓	✓	✓	-	-
HALCO	EP432IS/MV/MC	IS	4	-	-	-	-	✓	✓	✓	✓	-	-
HOWARD	EP3/32IS/MV/SC/HE	IS	3	-	-	✓	✓	✓	✓	-	-	-	-
HOWARD	EP4/32IS/MV/MC/HE	IS	4	-	-	-	-	✓	✓	✓	✓	-	-
HUAFENG	ENI-T8-32-P2SC-N	IS	2	✓	✓	✓	✓	-	-	-	-	-	-
HUAFENG	ENI-T8-32-P4MC-N	IS	4	-	-	-	-	✓	✓	✓	✓	-	-
KEYSTONE	KTEB-132-UV-IS-L-P	IS	1	✓	✓	-	-	-	-	-	-	-	-
KEYSTONE	KTEB-132-UV-PS-N-P	IS	1	✓	✓	-	-	-	-	-	-	-	A4
KEYSTONE	KTEB-232-UV-IS-L-P	IS	2	✓	✓	✓	✓	-	-	-	-	-	-
KEYSTONE	KTEB-232-UV-IS-N-P	IS	2	✓	✓	✓	✓	-	-	-	-	-	D1
KEYSTONE	KTEB-232-UV-IS-H-P	IS	2	✗	✗	✓	✓	-	-	-	-	-	D1
KEYSTONE	KTEB-232-UV-PS-VDIM	PS	2	-	-	✓	✓	-	-	-	-	✓	-
KEYSTONE	KTEB-232-UV-PS-H-P	PS	2	✗	✗	✗	✗	-	-	-	-	-	-
KEYSTONE	KTEB-332-UV-IS-L-P	IS	3	-	-	✓	✓	✓	✓	-	-	-	-
KEYSTONE	KTEB-332-UV-IS-N-P	IS	3	-	-	✓	✓	✓	✓	-	-	-	B
KEYSTONE	KTEB-332-UV-IS-H-P	IS	3	-	-	✗	✗	✓	✓	-	-	-	D1
KEYSTONE	KTEB-332-UV-PS-L-P	PS	3	-	-	✓	✓	✓	✓	-	-	-	D2
KEYSTONE	KTEB-332-UV-PS-N-P	PS	3	-	-	✓	✓	✓	✓	-	-	-	D2
KEYSTONE	KTEB-332-UV-PS-H-P	PS	3	-	-	✗	✗	✗	✗	-	-	-	-
KEYSTONE	KTEB-432-UV-IS-L-P	IS	4	-	-	-	-	✓	✓	✓	✓	-	A1
KEYSTONE	KTEB-432-UV-IS-N-P	IS	4	-	-	-	-	✓	✓	✓	✓	-	A1
KEYSTONE	KTEB-432-UV-IS-H-P	IS	4	-	-	-	-	✗	✗	✓	✓	-	A3
KEYSTONE	KTEB-432-UV-PS-L-P	PS	4	-	-	-	-	✓	✓	✓	✓	-	-
KEYSTONE	KTEB-432-UV-PS-N-P	PS	4	-	-	-	-	✓	✓	✓	✓	-	D2
OSRAM	QHE 2x32T8/UNV DIM-TC	PS	2	-	-	✓	✓	-	-	-	-	✓	-
OSRAM	QHE 2x32T8/UNV ISL SC	IS	2	✓	✓	✓	✓	-	-	-	-	-	-
OSRAM	QTP 2x32T8/UNV ISN-SC	IS	2	✓	✓	✓	✓	-	-	-	-	-	-
OSRAM	QTP 3x32T8/UNV PSX-SC	PS	3	-	-	-	-	✗	✗	-	-	-	-
OSRAM	QHE 4x32T8/UNV ISL SC	IS	4	-	-	-	-	✓	✓	✓	✓	-	-
OSRAM	QHE 4x32T8/UNV PSN-SC	PS	4	-	-	-	-	✓	✓	✓	✓	-	-
OSRAM	QTP 4x32T8/UNV ISN-SC	IS	4	-	-	-	-	✓	✓	✓	✓	-	-
PACIFIC	EB-332IS-U	IS	3	-	-	✓	✓	✓	✓	-	-	-	-
PACIFIC	EB-432IS-U	IS	4	-	-	-	-	✓	✓	✓	✓	-	-
PLUSRITE	BAF232IS/MV/H	IS	2	✗	✗	✓	✓	-	-	-	-	-	-
PQL	70201	IS	2	✓	✓	✓	✓	-	-	-	-	-	-
PQL	70204	IS	4	-	-	-	-	✓	✓	✓	✓	-	-
PREMIUM	BB-T8/UVH-2x32	IS	2	✓	✓	✓	✓	-	-	-	-	-	-
PREMIUM	BB-T8/UVH-3x32	IS	3	-	-	-	-	✓	✓	-	-	-	-
ROBERTSON	RSW240T12120	PS	2	✗	-	✗	-	-	-	-	-	-	-
STANDARD	E232PI120L	IS	2	✓	-	✓	-	-	-	-	-	-	-
STANDARD	E232T8IS120/L/AS	IS	2	✓	-	✓	-	-	-	-	-	-	-
STANDARD	E232T8IS120/N/AS	IS	2	✓	-	✓	-	-	-	-	-	-	-
STANDARD	E232T8PS120-277V/N/AS/BULK	PS	2	-	-	✓	✓	-	-	-	-	-	-
STANDARD	E432T8IS120/H	IS	4	-	-	-	-	✗	-	✓	-	-	-
STANDARD	E432T8IS120/L/AS/BULK	IS	4	-	-	-	-	✓	-	✓	-	-	-
STANDARD	E432T8IS120/N/AS/BULK	IS	4	-	-	-	-	✓	-	✓	-	-	-
SUNPARK	SL15T	PS	2	✓	-	✓	-	-	-	-	-	-	-
TCP	E4P32PSUNVE	PS	4	-	-	-	-	✓	✓	✓	✓	-	-
UNIVERSAL	B232PUSV3PLA	PS	2	✓	✓	✓	✓	-	-	-	-	✓	REV A
UNIVERSAL	B232SR120S30	PS	2	-	-	✗	-	-	-	-	-	✓	REV E

## BALLAST COMPATIBILITY (Cont'd)

120-277V Ballasts													
Manufacturer	Part Number	Start Method	# of Lamps	1 Lamp		2 Lamp		3 Lamp		4 Lamp		Dim	Ballast Version
				120V	277V	120V	277V	120V	277V	120V	277V		
UNIVERSAL	B232IUNVHP-N	IS	2	-	-	✓	✓	-	-	-	-	-	REV B
UNIVERSAL	B332IUNVHP-A	IS	3	-	-	✓	✓	✓	✓	-	-	-	REV B
UNIVERSAL	B432IUNVHP-A	IS	4	-	-	-	-	✓	✓	✓	✓	-	REV B
UNIVERSAL	B232PUNVHE-B	PS	2	✗	✗	✓	✓	-	-	-	-	-	REV B

347-480V Ballasts													
Manufacturer	Part Number	Start Method	# of Lamps	1 Lamp		2 Lamp		3 Lamp		4 Lamp		Dim	Ballast Version
				120V	277V	120V	277V	120V	277V	120V	277V		
ARCATA	ACT2P32IS347	IS	2	✓	✓	✓	✓	-	-	-	-	-	-
ARCATA	ACT4P32IS347	IS	4	-	-	-	-	✓	✓	✓	✓	-	-
ADVANCE	GOPA-2P32-LW-N	IS	2	✓	-	✗	-	-	-	-	-	-	REV A
ADVANCE	GOPA-2P32-LW-SC	IS	2	✓	-	✓	-	-	-	-	-	-	REV D
ADVANCE	GOPA-4P32-LW-SC	IS	4	-	-	-	-	✓	-	✓	-	-	REV D
ADVANCE	GOPA-2P32-SC	IS	2	✓	-	✓	-	-	-	-	-	-	REV C
ADVANCE	GOPA-4P32-SC	IS	4	-	-	-	-	✓	-	✓	-	-	REV D
FUSION	FB232347E-HE	IS	2	✓	-	✓	-	-	-	-	-	-	-
FUSION	FB232347E-L	IS	2	✓	-	✓	-	-	-	-	-	-	-
FUSION	FB232347E-PPS-HE	PS	2	✓	-	✓	-	-	-	-	-	-	-
FUSION	FB432347E-HE	IS	4	-	-	-	-	✓	-	✓	-	-	-
FUSION	FB432347E-L	IS	4	-	-	-	-	✓	-	✓	-	-	-
FUSION	FB432347E-PPS-HE	PS	4	-	-	-	-	✓	-	✓	-	-	-
GE	GE232MAX347-H	IS	2	✗	-	✓	-	-	-	-	-	-	-
GE	GE332MAX347-H	IS	3	-	-	✗	-	✓	-	-	-	-	-
GE	GE432MAX347-H	IS	4	-	-	-	-	✗	-	✗	-	-	-
KEYSTONE	KTEB-232-3-IS-N-P	IS	2	✓	-	✓	-	-	-	-	-	-	-
KEYSTONE	KTEB-432-3-IS-N-P	IS	4	-	-	-	-	✓	-	✓	-	✓	-
MAGNETEK	B232I347HP	IS	2	✗	-	✗	-	-	-	-	-	-	-
OSRAM	QHE 2x32 T8/347 ISL-SC	IS	2	✓	-	✓	-	-	-	-	-	-	-
OSRAM	QHE 2x32 T8/347 ISN-SC	IS	2	✓	-	✓	-	-	-	-	-	-	-
OSRAM	QHE 4x32 T8/347 ISL-SC	IS	4	-	-	-	-	✓	-	✓	-	-	-
STANDARD	E232T8IS347/H/90C	IS	2	✗	-	✗	-	-	-	-	-	-	-
STANDARD	E232T8IS347/L/BULK	IS	2	✓	-	✓	-	-	-	-	-	-	-
STANDARD	E232T8IS347/N/BULK	IS	2	✓	-	✓	-	-	-	-	-	-	-
STANDARD	E432PI347G01	IS	4	-	-	-	-	✓	-	✗	-	-	-
STANDARD	E432T8IS347/L/BULK	IS	4	-	-	-	-	✓	-	✓	-	-	-
STANDARD	E432T8IS347/N	IS	4	-	-	-	-	✓	-	✓	-	-	-
STANDARD	E432T8IS347/N/BULK	IS	4	-	-	-	-	✗	-	✗	-	-	-
STANDARD	E432T8IS347/H/90C	IS	4	-	-	-	-	✗	-	✗	-	-	-
ULTRASAVE	JR232347	RS	2	-	-	✗	-	-	-	-	-	-	-
ULTRASAVE	MR232347	IS	2	✗	-	✓	-	-	-	-	-	-	-
UNIVERSAL	B232I347HE-A	IS	2	✓	-	✓	-	-	-	-	-	-	-
UNIVERSAL	B432I347HE-A	IS	4	-	-	-	-	✓	-	✓	-	-	-
UNIVERSAL	B432I347RH	IS	4	-	-	-	-	✓	-	✓	-	-	REV H